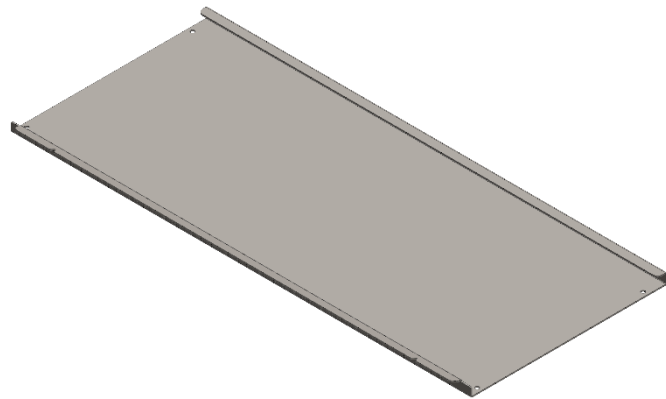


# CamExtend™

Assembly and Installation Guide  
CamExtend™ Package Contents



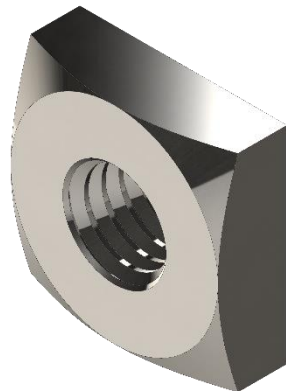
X 2

CamExtend™ End Piece (P/N 4614600X)



X 2

CamExtend™ Side Piece (P/N 4614700X)



X 8

#10-32 Square Nut



X 8

#10-32 x 3/8" Slotted/Phillips Pan Head Machine Screw

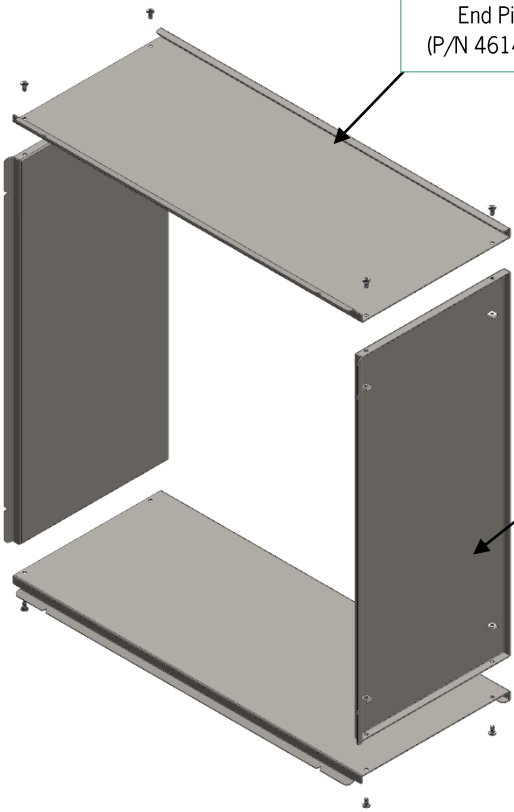
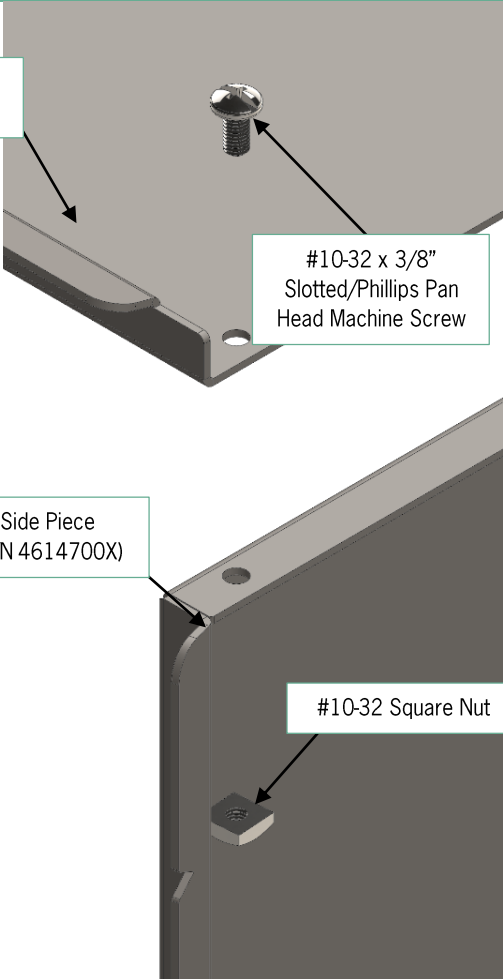
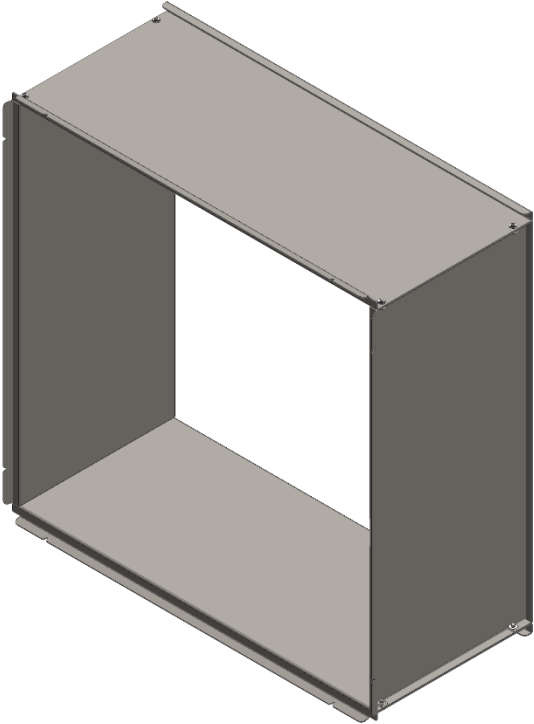
# CamExtend™

## Assembly and Installation Guide

### CamExtend™ Assembly

The only tool required to assemble the CamExtend™ is a #2 Phillips or slotted screwdriver.



<p>Assemble the CamExtend™ as per the below image.</p>	<p>Secure all eight (8) corners with the provided #10-32 screws &amp; nuts. Use a #2 Phillips or slotted screwdriver to hand tighten each screw.</p>	<p>Check the CamExtend™ for rigidity and tighten any loose screws.</p>
		

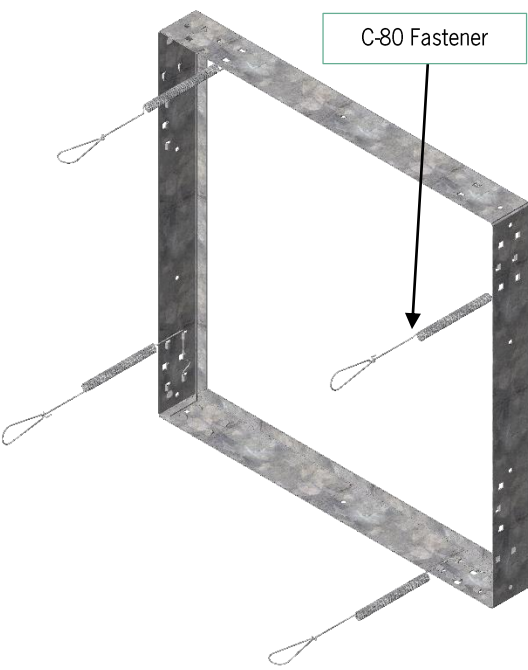
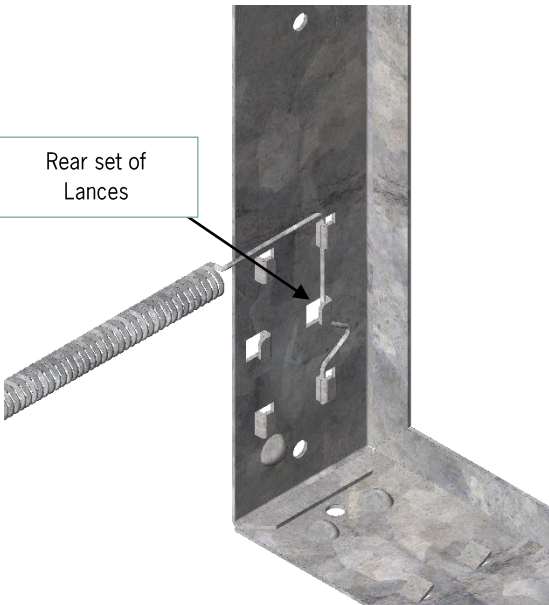
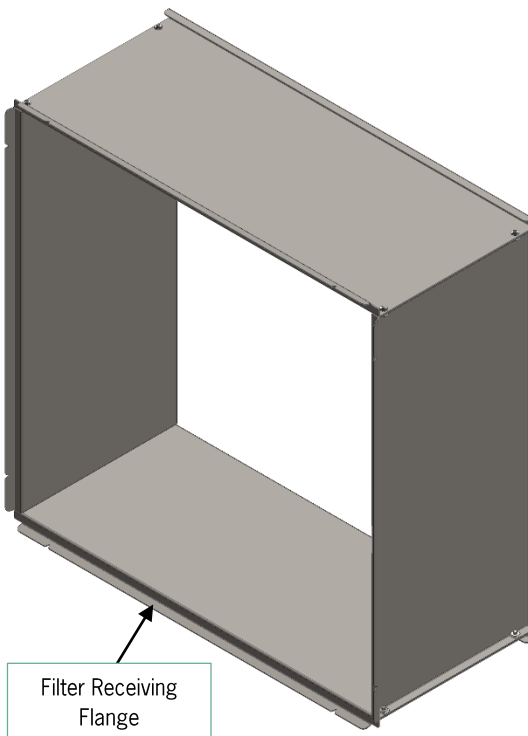
# CamExtend™

## Assembly and Installation Guide

### CamExtend™ Installation

The CamExtend™ is designed to work with any Type 8 style filter holding frame that accepts C-80 or C-99 styled filter fasteners. The CamExtend™ is intended to be used as an upgrade to an existing filter holding frame and therefore doesn't need to be removed once installed.



<p>Install four (4) C-80 or C-99 styled filter fasteners into the rear set of lances on the Type 8 styled frame.</p>	<p>Secure the C-80 or C-99 styled filter fasteners by pressing the V-shaped wire form leg into the rear set of lances.</p>	<p>Check the CamExtend™ for rigidity and tighten any loose screws.</p>
		

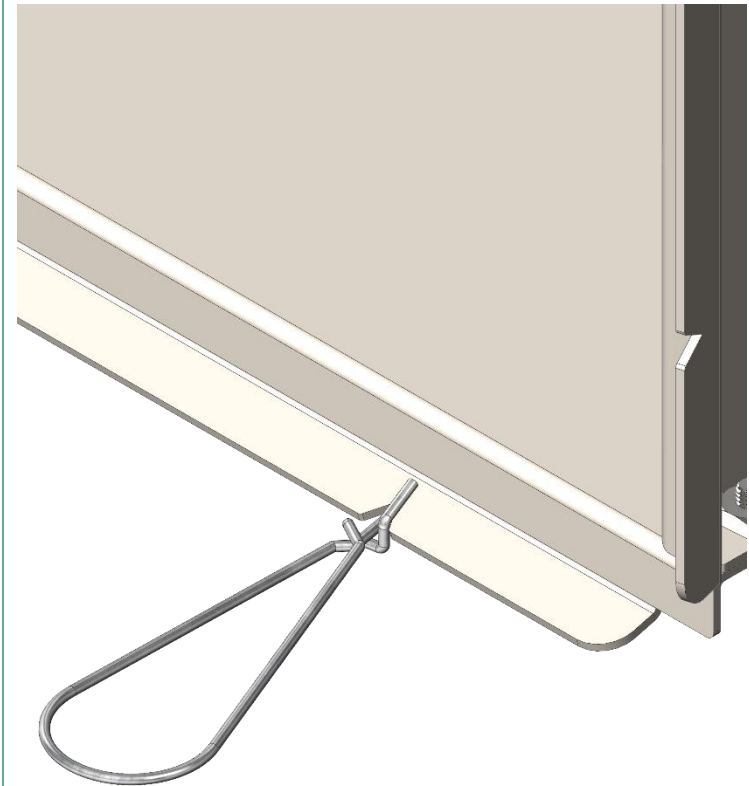
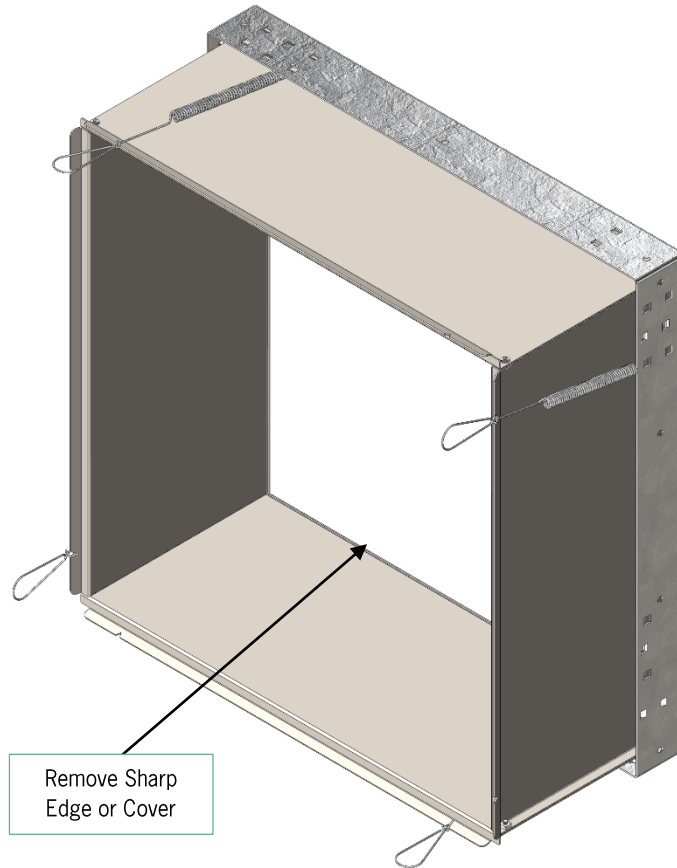
# CamExtend™



## Assembly and Installation Guide

Install the CamExtend™ into the filter holding frame so that the filter receiving flange is oriented upstream and secure it with four (4) C-80 or C-99 filter holding clips. If the opening in your filter holding frame is 22.375" x 22.375" or smaller, it is recommended to remove sharp edges or cover sharp edges with a durable smooth tape. Ensure that the edge of the filter hold frame does not extend above the CamExtend™ interior surface.

The fastener will clip onto the filter holding flange in the V-shaped groove, as shown below.



# CamExtend™

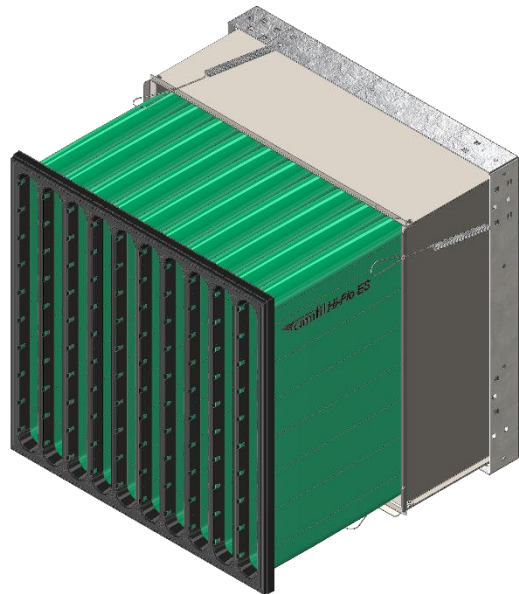
## Assembly and Installation Guide

### CamExtend™ Hi-Flo ES™ Installation

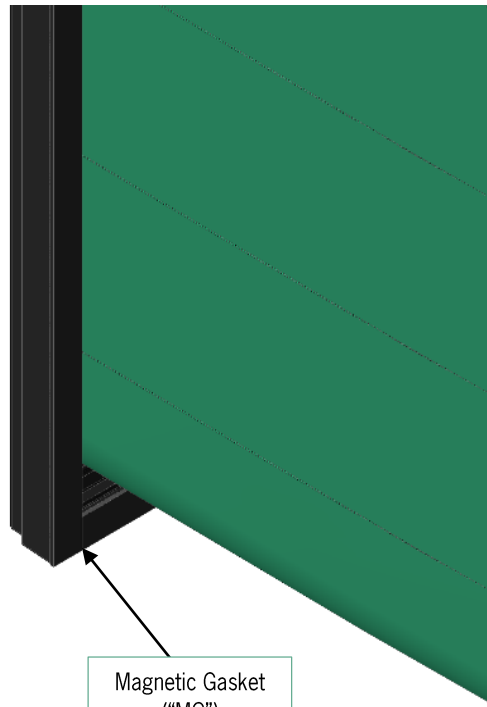
The Hi-Flo ES™ comes with a special magnetic gasket (MG) for use with the CamExtend™. When ordering replacement filters make sure to specify that you require Hi-Flo ES™ filters with the "MG" option for use with the CamExtend™.



Insert the Hi-Flo ES™ into the CamExtend™ carefully avoiding pinching or crushing the bags. The filter header will sit inside the filter receiving flange.



The Hi-Flo ES™ will cling to the CamExtend™ due to the MG. The MG will be attracted to the CamExtend™. If you do not feel this attractive force, the bag is most likely pinched or caught between the filter and the CamExtend™.



Pull towards upstream on each corner of the Hi-Flo ES™ to make sure it is properly sealed and secure.

